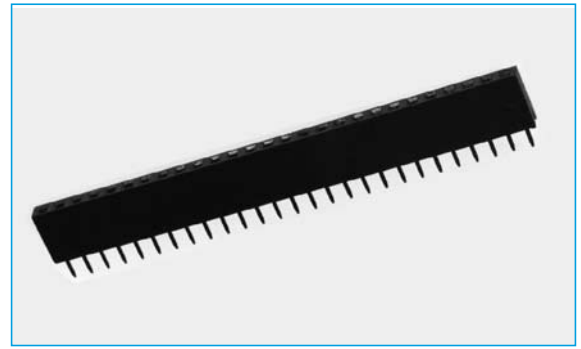


**FEMALE HEADERS**

**FEMALE HEADER STRAIGHT - 8.4mm PROFILE**

SECTION 8

- Industry compatible
- Competitively priced
- Single or dual row
- No. of contacts 02-80
- Gold plated contacts
- 2.54mm pitch

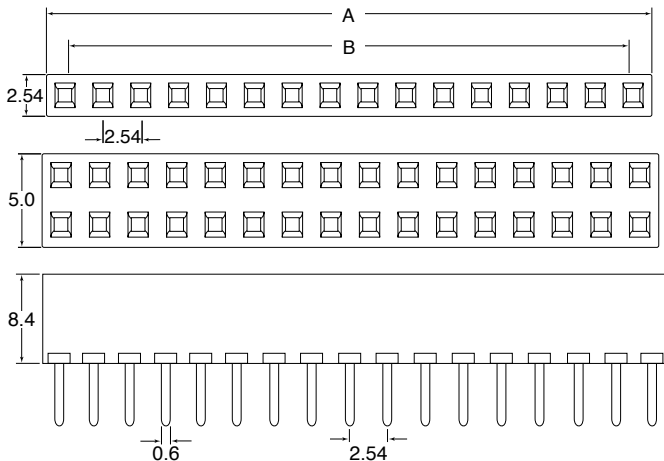


**SPECIFICATION**

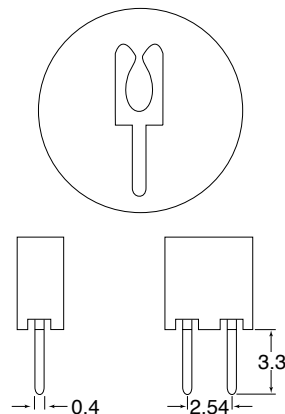
**Material & Finish**

<b>Contact Material:</b>	Brass
<b>Insulator Material:</b>	PBT & Glass-Fibre Reinforced UL-94V-0
<b>Current Rating:</b>	1 A DC
<b>Contact Resistance:</b>	30M $\Omega$ Max
<b>Insulator Resistance:</b>	3000M $\Omega$ Min
<b>Dielectric Withstanding Voltage:</b>	500V AC for One Minute
<b>Operating Temperature:</b>	-40°C to + 105°C

**OUTLINE DRAWING**



A = 2.54mm x N° of Contacts  
 B = (2.54mm x N° of Contacts) -1



**ORDERING INFORMATION**

<b>DBC</b>	<b>IDC</b>	<b>B6</b>	<b>S</b>	<b>04</b>	<b>A</b>	<b>G</b>	<b>1</b>
Dubilier Connectors	IDC Connector	Series	N° of Rows S = Single Row D = Dual Row	N° of Contacts/per row 02=2way Thro to 43=43way	Contact Material A=Brass	Contact Plating G= Gold Flash	Colour 1=Black